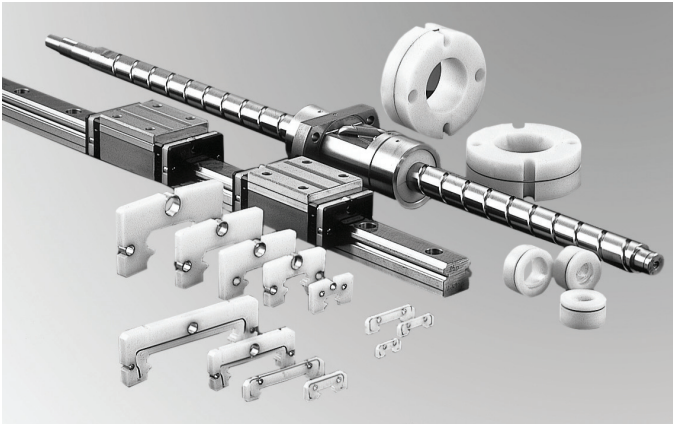


NSK K1™ Lubrication Unit

Linear motion made maintenance-free with K1™ Lubrication Units. These patented units provide long-term maintenance-free operation especially in environments where grease replenishment is undesirable or where grease is easily washed away. Fresh, continuous oil flows onto the rail or shaft during operation.



Product Features

- › Available on standard NSK linear guides, ball screws, Monocarrier™ Actuators and Robot Modules.
- › Food or medical grade K1™ Lubrication Units available.
- › Long-term, maintenance-free operation.

Product Benefits

- › Requires no maintenance for up to 5 years or 10,000km operational distance.
- › Effective in any mounting orientation.
- › Ideal for environments where grease replenishment is undesirable or where grease is easily washed away.
- › Maintains efficiency in high contaminant environments.

Applications:

- › Machine Tool
- › Food & Beverage
- › Medical
- › Factory Automation
- › Semiconductor

Condition Description:

- Long Term Lubrication Cycles
- Lifetime Lubrication
- Contamination

NSK Americas
3450 Bearing Dr.
Franklin, IN 46131
1-800-255-4773